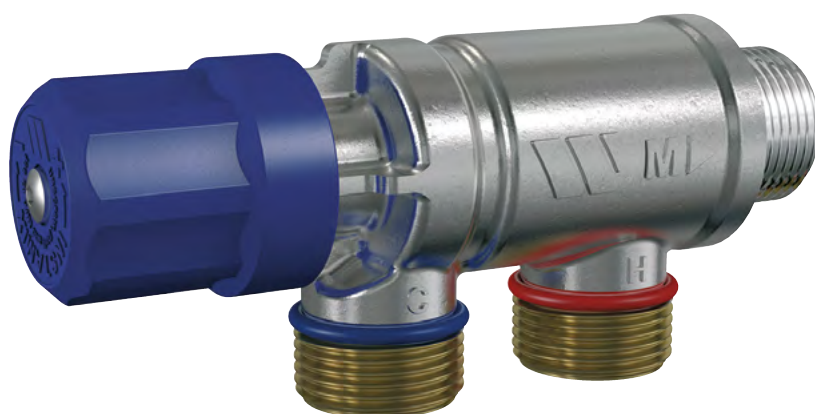


INSTAmix®

Thermostatic mixing valve

Technical data sheet



Description

The INSTAmix® thermostating mixing valve is a compact mixing valve designed to supply general purpose applications with tempered water not exceeding a set temperature. Equipped with two parallel inlets considered convenient for many system configurations.

INSTAmix® is ideal for many applications: anywhere needing a supply of water at a temperature pre-set on site.

- Easily installed thermostatic mixing valve.
- Locking cap preventing the end user from adjusting the temperature.
- Fitted with 2 check valves NF approved.
- Temperature: accurate to within 1,5°C of chosen temperature between 35 and 45°C (with balanced dynamic pressure).
- Outstanding reliability.
- Immediate fail-safe in case of cold or hot water interruption (mixing valve cut-off with residual flow).
- Nickel plated finish (self-colour brass on request).
- Can be installed in any position provided that you respect the direction of flow of the water indicated by the arrow engraved on the body.

Technical features

Technical features	
Maximum static pressure	10 bar
Maximum dynamic pressure	6 bar
Operating pressure	0,2 to 5 bar
Hot temperature supply *	52°C – 85°C
Cold temperature supply *	5°C – 20°C
Temperature setting range	30 to 60°C (factory pre-set at 38°C)
Flow rate at 3 bar	40 l/min
Flow mini.	25 l/min

* differential minimum hot/mix temperature must be 10°C.

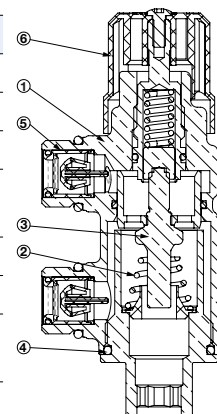
Part number



Part number	Body	Connections	Flow		Setting range	Weight
			at 1 bar	at 3 bar		
2297600	DN15	M/M/M 1/2"	25 l/min	40 l/min	30/60°C	0,448 kg
2297601	DN20	M/M/M 3/4"	25 l/min	40 l/min	30/60°C	0,456 kg

Nomenclature and materials

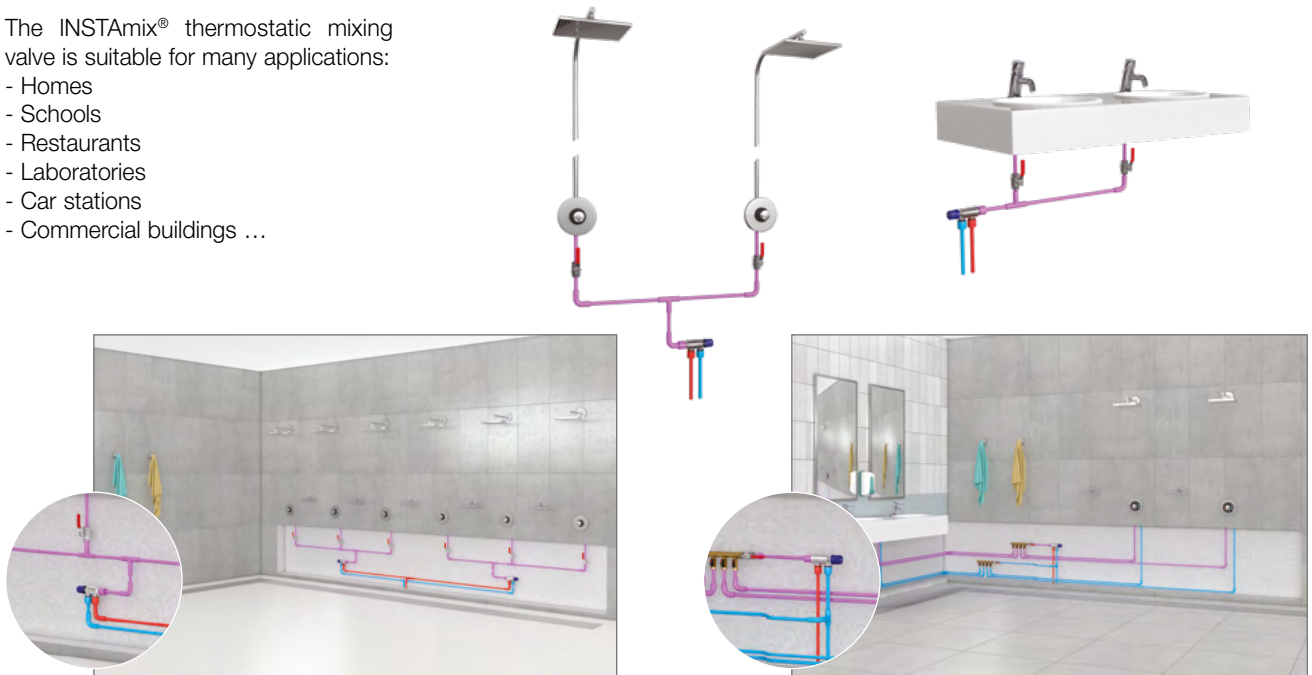
N°	Designation	Materials	EURO
1	Body	Brass	CW617N-4MS
	Finish	Nickel plated	
2	Spring	Stainless steel	1.4310(AISI301/30)
	Others brass parts	Brass	CW617N-4MS
3	Piston	Brass	CW625N
4	O-ring	EPDM & NBR	
5	Check valve CO15	Plastic (seat, valve) + EPDM (seal) + Stainless steel (spring)	Hostaform C13031 Natural + EPDM 70 Sh + EN10270-3-X10CrNi18-8 (302)
6	Head	Plastic	PP



Application

The INSTAmix® thermostatic mixing valve is suitable for many applications:

- Homes
- Schools
- Restaurants
- Laboratories
- Car stations
- Commercial buildings ...



Installation

Before commissioning check that:

- The designation of the thermostatic mixing valve matches the application that is to say the hot temperature and the supply pressures
- The thermostatic mixing valve will be installed in such a position that maintenance and testing of the TMV can be undertaken
- Strainers are installed on the hot and cold connectors
- Isolating valves are installed on the hot and cold connectors

If conditions are at variance, an assessment of risk should be carried out

NOTE : We would recommend the fitting of servicing valves with integral drain plug.

To ensure proper performance of the thermostatic controller, the isolation valves should always be fully open during operation. Before installing the thermostatic controller, you should thoroughly flush out the hot and cold water supply pipes to remove any dirt which may be in the system.

Setting

The thermostatic controller is supplied factory pre-set at 38°C.

However, it may be necessary to adjust the product on site, depending on installation conditions.

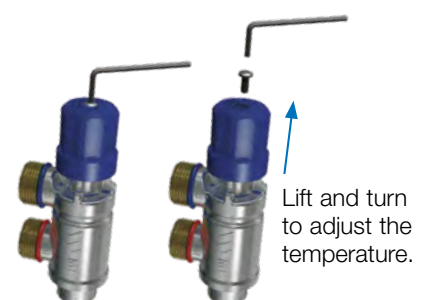
With both the hot and cold supplies turned fully on and the terminal fitting open, adjust the temperature to the required setting.

To adjust the temperature supply:

- Simply unscrew the locking screw on the top of the handwheel, set the valves and lock with the screw.
- To increase the temperature, turn anti-clockwise.
- To decrease the temperature, turn clockwise
- Once the desired temperature has been reached, lower the cap and tighten the locking screw.

The temperatures and pressures must be stabilised and checked before commissioning.

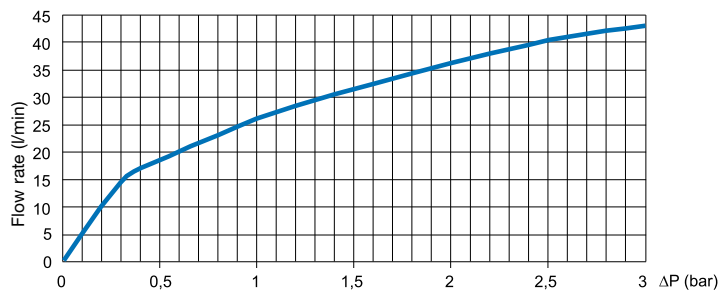
NOTE : After adjustment replace the cap to lock the valve in position and prevent tampering.



Operating

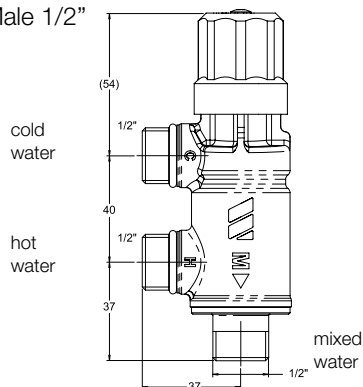
Headloss chart

Factory pre-set at 38°C.

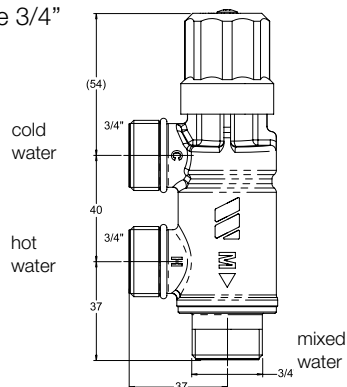


Sizing (mm)

Male 1/2"



Male 3/4"



The descriptions and photographs contained in this product specification sheet are supplied by way of information only and are not binding. Watts reserves the right to carry out any technical and design improvements to its products without prior notice. Warranty : All sales and contracts for sale are expressly conditioned on the buyer's assent to Watts terms and conditions found on its website at www.watts.com. Watts hereby objects to any term, different from or additional to Socla terms, contained in any buyer communication in any form, unless agreed to in a writing signed by an officer of Watts.



Follow us
Watts Water Technologies   

WATTS INDUSTRIES France

1590 avenue d'Orange • CS 10101 Sorgues 84275 VEDENE CEDEX • FRANCE
Tél. +33 (0)4 90 33 28 28 • Fax +33 (0)4 90 33 28 29/39
contact@wattswater.com • www.wattswater.eu